

Temperature Sensor

KMT100-PT100-3 Series



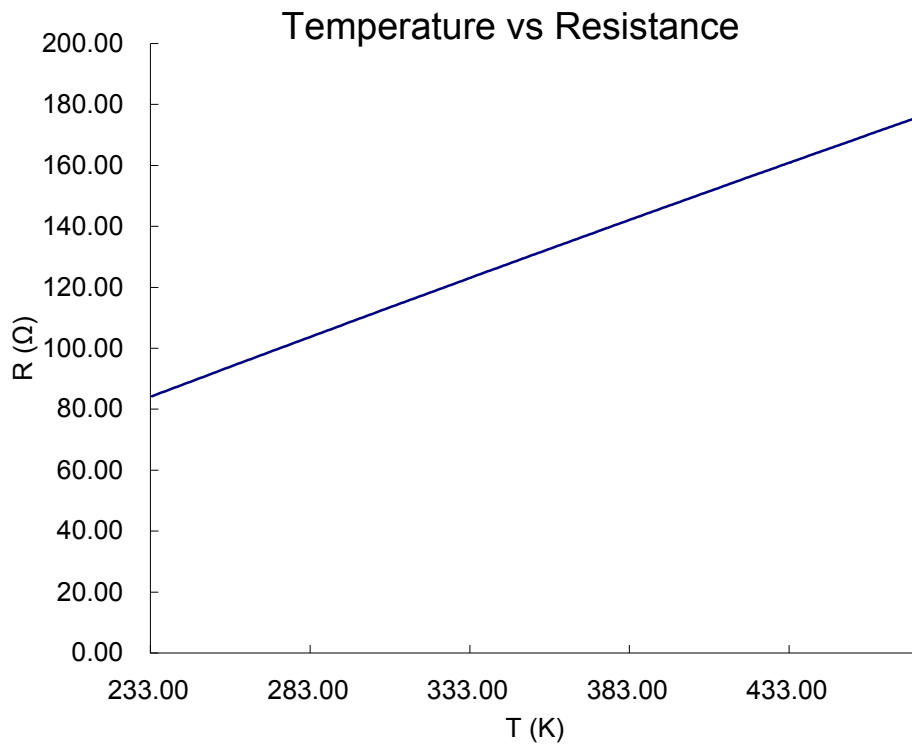
- Industrial PT100 Sensor
- Range from 233K to 473K(-40°C to 200°C)
- M20 Standard Connection
- IP65 Protection Class
- 27 mm Copper Probe
- Super Thermal Characteristics and Response Time
- High Temperature Accuracy
- Dedicated for HVAC Application

Specification	
Temperature Sensor Type	Pt100
Proble temperature range	233K to 473K(-40°C to 200°C)
Temperature Accuracy	≤ ± 0.5% Span
Temperature Response Time	≤ 3 s
Cable gland	PG 9
Conductor size	Max. 1.5 mm ²
Standard	DIN EN 175 301-803-A
Housing Color	Black
Construction type	A
Pin dimensions	6.3 mm x 0.8 mm, 4.8 mm x 0.8 mm
Rated voltage	AC/DC 250 V
Rated current	16 A
Contact resistance	≤ 4 mOhm
Suitable cables	4.5 mm to 7 mm diameter
Mounting	M20 screw
Contact surface material	Sn
Contact bearer material	PA
Housing material	PA
Proble material	Copper
Protection class (IEC 60529)	IP65
Housing temperature range	233 K to 398 K(-40 °C to +125 °C)
Inflammability class	94 HB

Temperature VS R

温度——电阻特性表 PT100							
T(°C)	R(Ω)	T(°C)	R(Ω)	T(°C)	R(Ω)	T(°C)	R(Ω)
		5	101.953	46	117.856	87	133.565
		6	102.343	47	118.241	88	133.946
		7	102.733	48	118.627	89	134.326
		8	103.123	49	119.012	90	134.707
		9	103.513	50	119.397	91	135.087
		10	103.903	51	119.782	92	135.468
		11	104.292	52	120.167	93	135.848
		12	104.682	53	120.552	94	136.228
		13	105.071	54	120.936	95	136.608
		14	105.460	55	121.321	96	136.987
		15	105.849	56	121.705	97	137.367
		16	106.238	57	122.090	98	137.747
		17	106.627	58	122.474	99	138.126
		18	107.016	59	122.858	100	138.506
		19	107.405	60	123.242	101	138.885
		20	107.794	61	123.626	102	139.264
-20	92.160	21	108.182	62	124.009	103	139.643
-19	92.553	22	108.570	63	124.393	104	140.022
-18	92.946	23	108.959	64	124.777	105	140.400
-17	93.339	24	109.347	65	125.160	106	140.779
-16	93.732	25	109.735	66	125.543	107	141.158
-15	94.124	26	110.123	67	125.926	108	141.536
-14	94.517	27	110.510	68	126.309	109	141.914
-13	94.909	28	110.898	69	126.692	110	142.293
-12	95.302	29	111.286	70	127.075	111	142.671
-11	95.694	30	111.673	71	127.458	112	143.049
-10	96.086	31	112.060	72	127.840	113	143.426
-9	96.478	32	112.447	73	128.223	114	143.804
-8	96.870	33	112.835	74	128.605	115	144.182
-7	97.261	34	113.221	75	128.987	116	144.559
-6	97.653	35	113.608	76	129.370	117	144.937
-5	98.044	36	113.995	77	129.752	118	145.314
-4	98.436	37	114.382	78	130.133	119	145.691
-3	98.827	38	114.768	79	130.515	120	146.068
-2	99.218	39	115.155	80	130.897	121	146.445
-1	99.609	40	115.541	81	131.278	122	146.822
0	100.000	41	115.927	82	131.660	123	147.198
1	100.391	42	116.313	83	132.041	124	147.575
2	100.781	43	116.699	84	132.422	125	147.951
3	101.172	44	117.085	85	132.803		
4	101.562	45	117.470	86	133.184		

Temperature Curve



Dimension

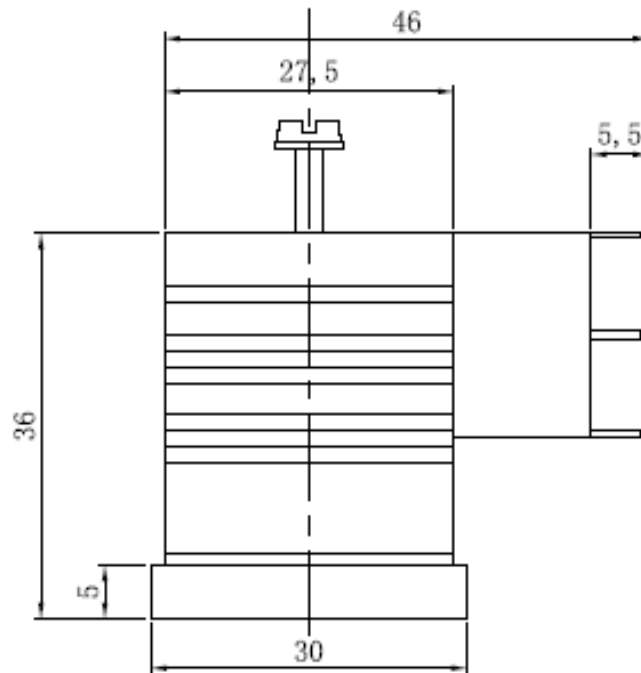


Fig. 1

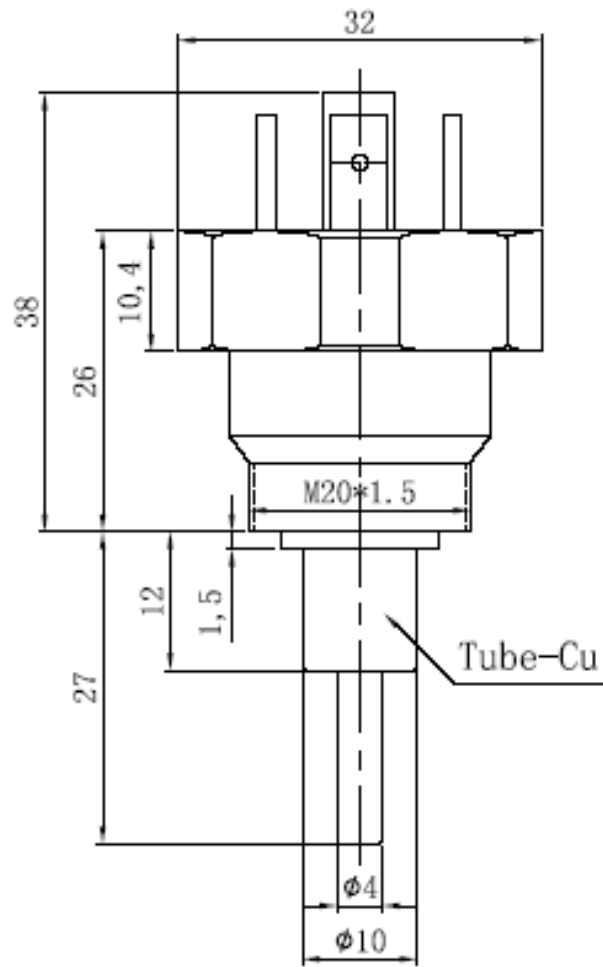


Fig. 2

Connector Wiring



Fig. 3

Pin1, pin 2 and pin 3 are the temperature signal output terminals.

Important Notice

All rights are reserved in any change and update for KMT100 catalog without informing customers.